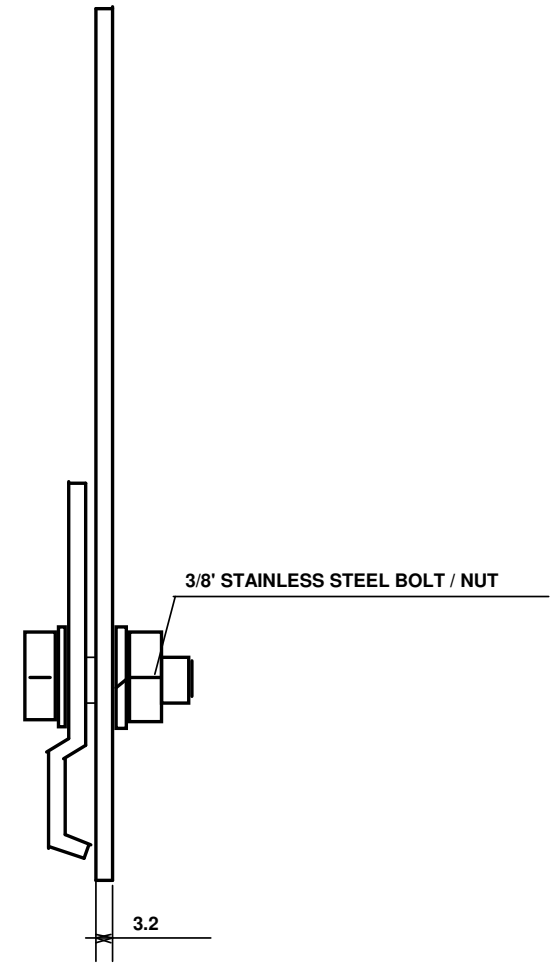


HOLES FOR 1.25 INCH PIPES

MAIN PLATE



REAR VIEW ASSEMBLED BRACKET

SNOW FENCE FOR STANDING SEAM	CR-SF2-NP
GALV. STEEL BRACKETS 2 PIPE SYSTEM	30.12.10
	KK
CLASSIC ROOFING SYSTEMS 20 Truman Rd unit 4-5 Barrie Ontario L4N 8Y8 www.classicroofing.ca	